

## RADIAL 12" PENDANT LIGHT

PEB158



### FEATURES + BENEFITS

- Metal RLM shades are spun from heavy duty aluminum.
- Polyester powder coat finish provides color retention and scratch resistance.
- White powder coat shade interior for maximum light output. Painted Galvanized finish has Painted Galvanized shade interior.
- Dimmable with a dimmable bulb and compatible dimmer (not included).
- 6ft Black SJT cord standard.
- UL Listed for Dry Location.
- Warranty: Limited 1 Year.
- Made in USA.

### SPECIFICATIONS

**Product Dimensions:**

Width 12", Shade Height 5", Overall Height 83", Canopy Dia. 5 3/8"

**Lamping:**

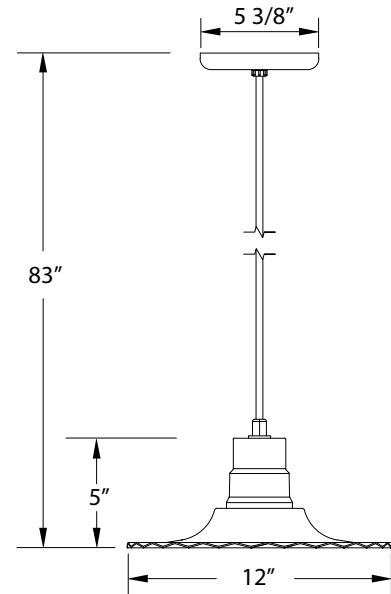
100W Medium Base per socket

**Options:**

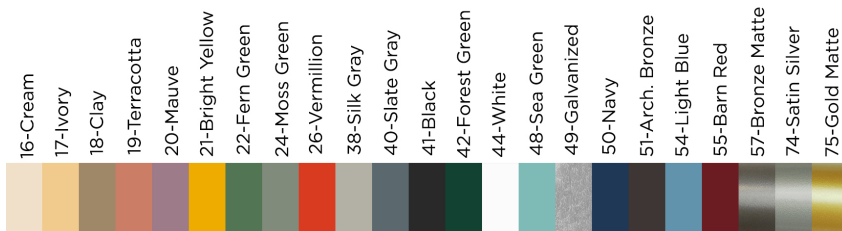
- Finish: See standard finish options below.
- Cord: C21-White SJT, C02-Black Fabric, C04-Black and White Houndstooth Fabric, C11-Gray and Yellow Dot, C12-Gray Fabric, C16-Navy Mini Tweed, C20-White Fabric, C22-White and Gray Dot Fabric, C23-Red & White Zig-Zag Fabric, C24-Cool Tweed, C25-Polished Copper, C26-Ivory, C27-Neutral Argyle
- Other Accessories: G05-Clear Weathertight Glass and Guard

**Shipping:**

At Montclair Light Works we proudly manufacture, assemble, and ship your lighting fixture within 3 weeks from our factory in Montclair CA.



**MADE IN THE USA**



JOB/LOCATION

---

QUANTITY

---

NOTES

---